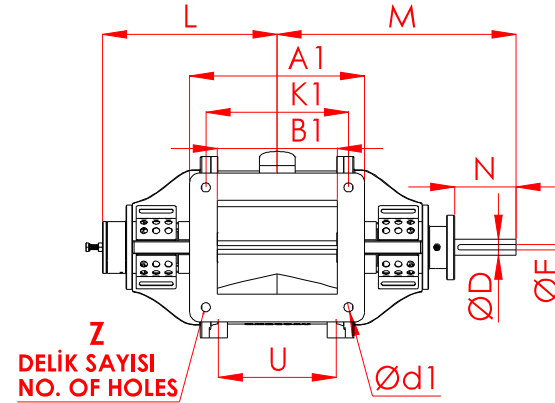
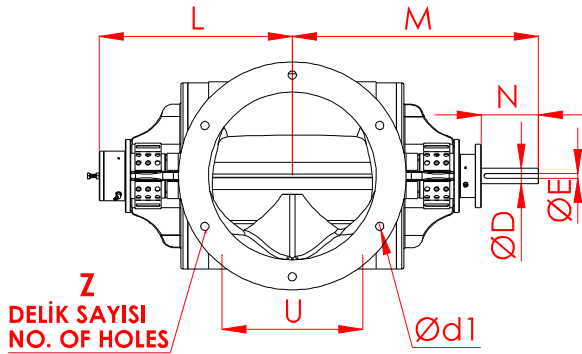
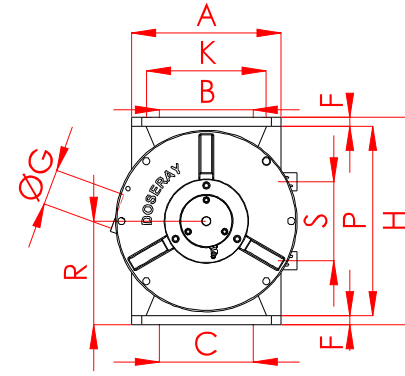
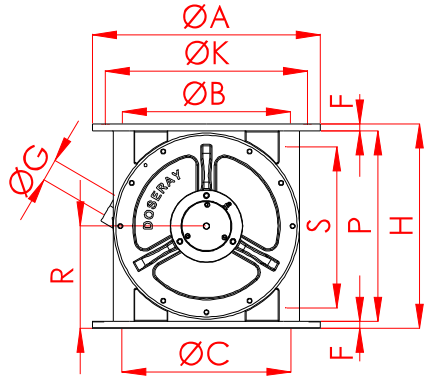


# DOSERAY ROTARY VALVE/AIRLOCK TECHNICAL DATA



TYPE	SHAPE	m³/h	A	A1	B	B1	C	D	E	F	G	H	K/DIN	K1	L	M	N	d1	Z	P	R	S	U	kW	kg
DSR-150	C	1	265	-	168	-	168	18	6	10	21	200	240/DN150	-	241	326,50	77,50	14	4	180	100	148	130	0,37	50
DSR-180	C	2	280	-	195	-	195	25	8	10	21	238	250	-	262	361	95	14	4	218	119	186	130	0,75	65
DSR-180	Q	3	260	260	150	150	150	25	8	12	33,50	225	120	120	257	353,10	92,50	14	8	201	112,50	-	-	0,75	65
DSR-220	C	5	280	-	200	-	200	25	8	18	33,50	337	250	-	302	400	95	14	4	301	168,50	122	146	0,75	110
DSR-220	Q	5	230	270	145	185	145	25	8	14	33,50	320	185	220	269,50	368,50	95	14	4	292	160	122	182	0,75	110
DSR-250	C	15	405	-	250	-	250	30	8	24	33,50	360	350/DN250	-	331,60	456,10	117,60	14	6	312	180	310	230	1,5	210
DSR-250	Q	15	330	335	195	195	195	30	8	18	33,50	365	290	290	330,10	454	117	14	8	329	182,50	290	215	1,5	180
DSR-300	Q	15	300	300	210	240	210	30	8	15	33,50	392	270	270	324,10	448,10	117,10	14	12	362	448	-	-	1,5	220
DSR-320	C	20	340	-	235	-	235	30	8	20	48	440	295/DN200	-	343,10	467,10	117,10	14	8	400	220	125	280	1,5	200
DSR-320L	Q	40	360	560	260	460	260	30	8	18	48	440	320	520	452	576	116,90	14	14	404	220	-	-	1,5	250
DSR-350	C	50	502	-	370	-	370	35	10	15	48	450	445/DN350	-	424	544,50	126,50	14	6	420	225	355	310	2,2	210
DSR-350	Q	50	450	450	354	354	354	35	10	20	48	450	200	200	385	501,50	126,50	14	8	410	225	322	274	2,2	210
DSR-450	C	80	540	-	380	-	380	35	10	18	48	555	495/DN400	-	468,50	585	126,50	14	8	537	277,50	454	345	2,2	320
DSR-450	Q	100	550	550	426	426	426	35	10	15	48	550	270	270	476	592,50	126,50	14	8	520	275	440	410	2,2	360

# DSR - Ø - XX - YY - ZZ

ROTOR DIAMETER  
ROTOR ÇAPI

ROTARY VALVE TYPE  
HAVA KİLİDİ TİPİ

ROTOR TYPE  
ROTOR TİPİ

CASTING MATERIAL  
DÖKÜM MATERYALİ

ROTARY VALVE TYPE (XX)  
HAVA KİLİDİ TİPİ

AB= Alttan boşaltmalı hava kilidi  
Standard rotary valve

AU= Alttan üfleli hava kilidi  
Blow through

ROTOR TYPE (YY)  
ROTOR TİPİ

01= Open end rotor  
Açık rotor

02= Close end rotor  
Kapalı rotor

03= Half close end rotor  
Yarı kapalı rotor

04= Helical rotor  
Helisel rotor

05= Radius rotor  
Radüs rotor

06= Adjustable rotor  
Ayarlanabilir rotor

07= Dosage rotor  
Dozaj rotor

08= Narrowed rotor  
Daraltılmış rotor

ROTOR PLATE  
ROTOR KAPLAMA

Teflon coated  
Teflon kaplama

Ceramic coated  
Seramik kaplama

Tungsten coated  
Tungsten kaplama

Carbide coated  
Karbür kaplama

Hardox adjustable  
Hardox ayarlı

Steel adjustable  
Çelik ayarlı

Polyurethane adjustable  
Poliüretan ayarlı

CASTING MATERIAL (ZZ)  
DÖKÜM MATERYALİ

GG= Cast iron  
Dökme demir

SS1= Stainless steel (AISI-304)  
Paslanmaz çelik (AISI-304)

SS2= Stainless steel (AISI-316)  
Paslanmaz çelik (AISI-316)

CC= C1050

SC= 42CrMo4

NN= Nihard

GG25=